

Hand Control MTP4

MTP4 hand switch is designed for lifting desk, table or height adjustable work station. It features with the compact and user friendly interface, and can be mounted on the application easily.



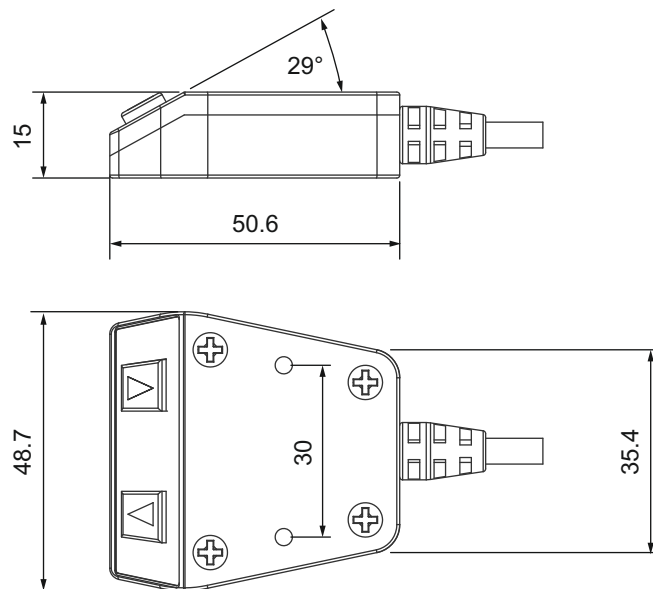
Feature

- Main application: Furniture
- Available number of buttons: 2
- Color: Black
- IP Protection level: IP20
- Cable length: 2000 mm

Compatibility

Product	Model	MTP4 spec
Control box	T control, CBT2, CB3T, CB3T-SY, CS1	- With 5-pin Modico F-type DIN plug
	DKC3	- With 10-pin Modico E-type RJ plug

Dimensions



Button Definition





Cable Plug

Modico 5-pin F-type DIN plug



Modico 10-pin E-type RJ plug



-
1. Press and hold button  , the actuator is extending, i.e. table is moving up.
 2. Press and hold button  , the actuator is retracting, i.e. table is moving down.
 3. Actuator stops while button is released.

Ordering Key

MTP4- E

Cable plug

F: F-type DIN plug
E: E-type RJ plug